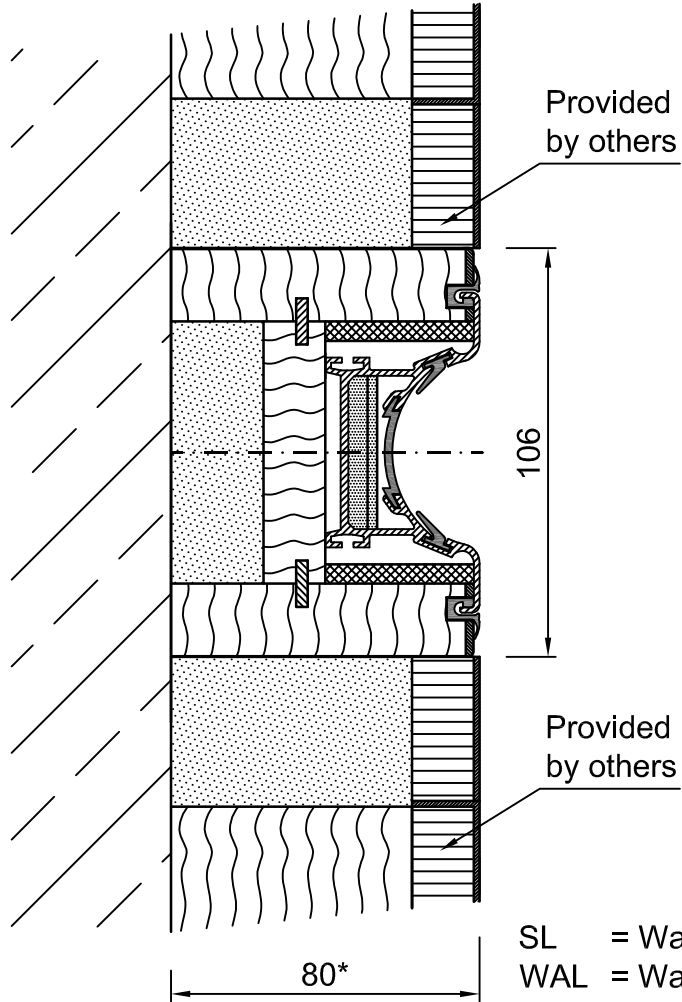
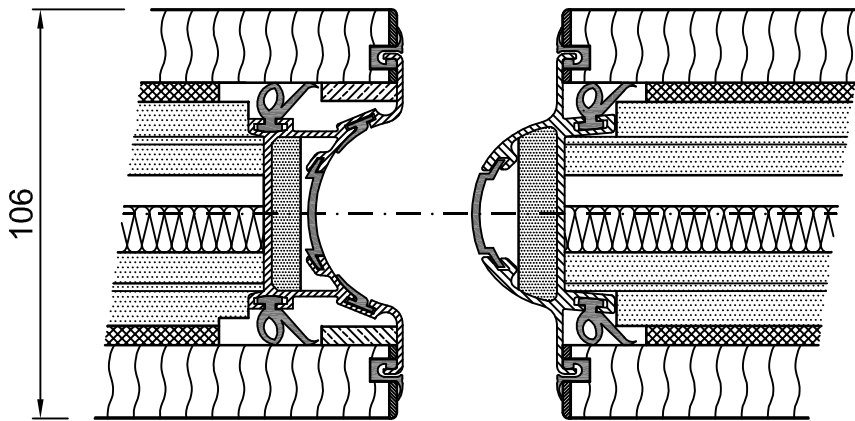


Wall Joint

* Key switch and power supply located elsewhere



Panel Joint



- * Self supporting aluminium / steel frame
- * Aluminium profiles
- * Provided with magnetic seals
- * Self supporting external plates

| | | | |
|--|---|-----------------|---------------|
| | Wall and Panel Joints - Select 110 K | | |
| | Drawn | Date | Name |
| | Checked | | |
| | Scale: n.o.s. | | Order number: |
| | | | Customer: |
| | | | Project: |
| | | Drawing number: | Sheet: |
| | | 6 | 6 of 14 |
| | | Projection | A4 |
| | | | |
| Niche Operable Systems Ltd. 460 Manchester Road T: +44 (0)1204 381 552 E: enquiries@folding-partitions.co.uk Darbyshire House Bolton, BL3 2NU F: +44 (0)1204 381 556 www.folding-partitions.co.uk | | | |

Niche
Moveable Walls

