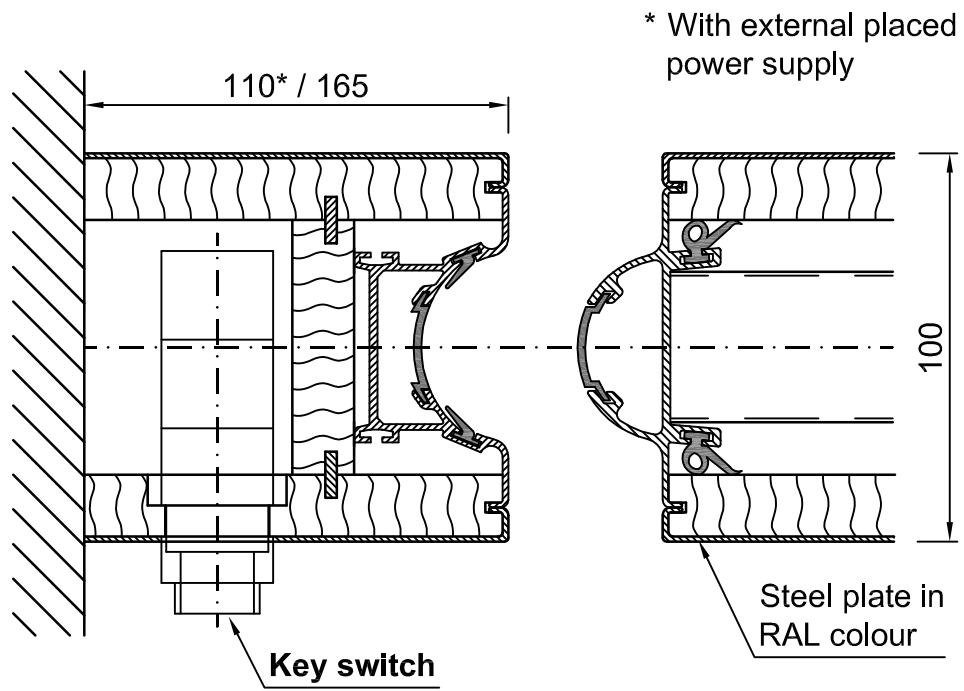
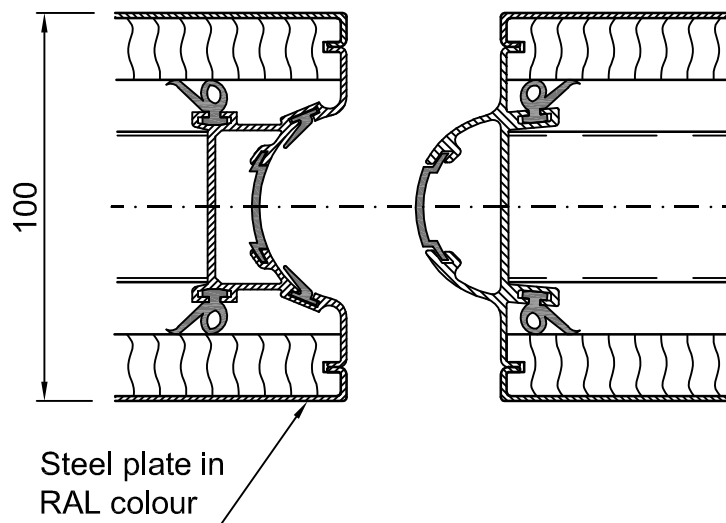


Wall Joint



SL = Wall Connection - NE
 WAL = Wall Connection - TE

Panel Joint



- * Self supporting aluminium / steel frame
- * Aluminium profiles
- * Provided with magnetic seals
- * Self supporting external plates

Wall and Panel Joints - Select 100 K-S			
MULTI	Date	Name	Order number :
	Drawn	14-10-'10	AvdH
	Checked		Customer :
	Scale :	n.o.s.	
			Project :
	Drawing number :	Sheet :	Projection
	5	5 of 14	A4
Niche Operable Systems Ltd. 460 Manchester Road T: +44 (0)1204 381 552 E: enquiries@folding-partitions.co.uk Darbyshire House Bolton, BL3 2NU F: +44 (0)1204 381 556 www.folding-partitions.co.uk			



Niche
Moveable Walls