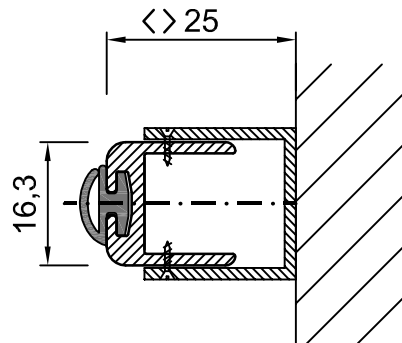
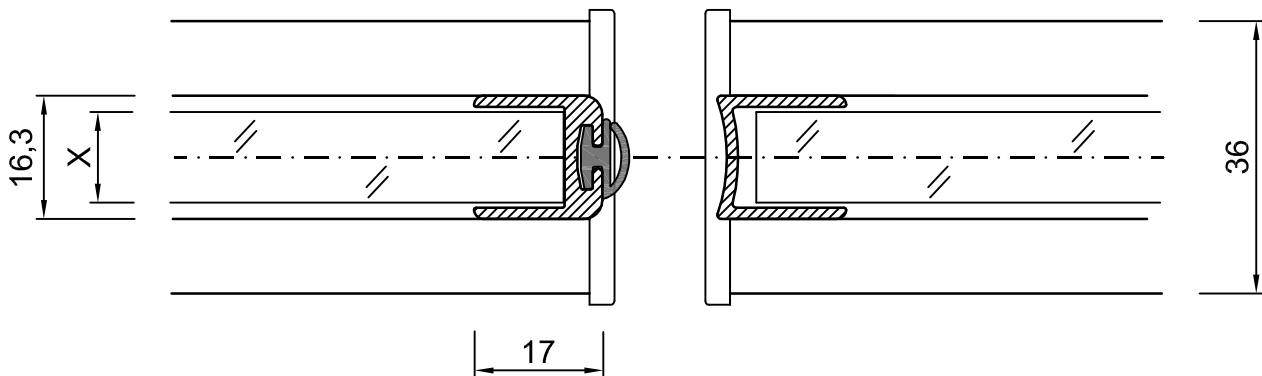


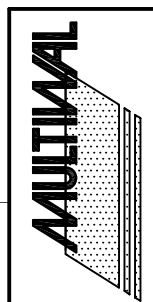
Wall joint



Panel joint



- * Aluminium profiles in RAL-Color (or anodised)
- * ESG = toughened safety glass
- * VSG = laminated safety glass
- * Provided with rubber seals



Wall joint and Panel joint - Look glass wall

Drawn	Date	Name	Order number :
Checked	15-10-'10	AvdH	Customer :
Scale : 1:1	Project :		
Drawing number :	Sheet :	Projection	A4
5	5 of 8		

Niche Operable Systems Ltd. 460 Manchester Road T: +44 (0)1204 381 552 E: enquiries@folding-partitions.co.uk
 Darbyshire House Bolton, BL3 2NU F: +44 (0)1204 381 556 www.folding-partitions.co.uk