

MR-1 Track
2-Point suspension

Brush seals

Brush seals

80

15

120

Height

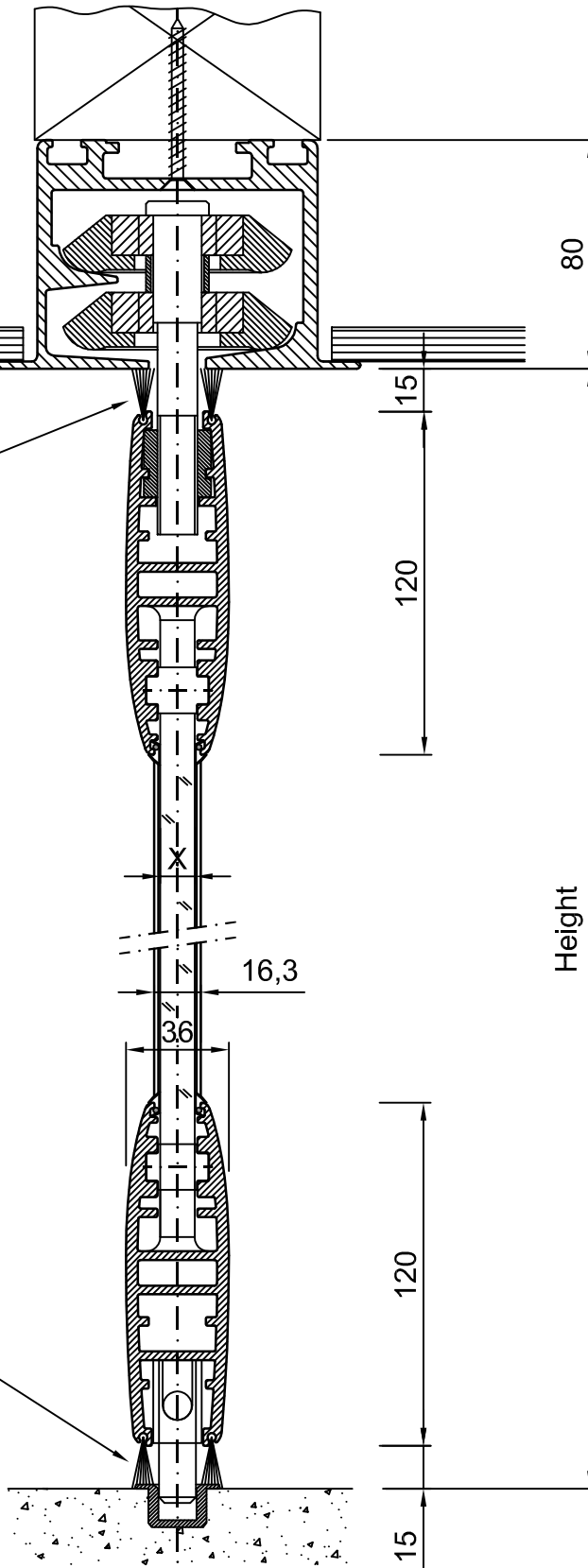
16,3

36

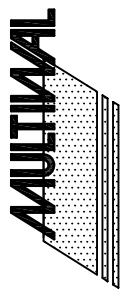
120

15

- * Aluminium profiles in RAL-Color (or anodised)
- * ESG = toughened safety glass
- * VSG = laminated safety glass



Section through a typical View-Alu glass wall



Drawn	Date	Name
Checked	15-10-'10	AvdH
Scale :	n.t.s.	

Order number :

Customer :

Project :

Drawing number :	Sheet :	Projection	A4
4	4 of 8		



Niche
Moveable Walls

Niche Operable Systems Ltd. 460 Manchester Road T: +44 (0)1204 381 552 E: enquiries@folding-partitions.co.uk
Darbyshire House Bolton, BL3 2NU F: +44 (0)1204 381 556 www.folding-partitions.co.uk