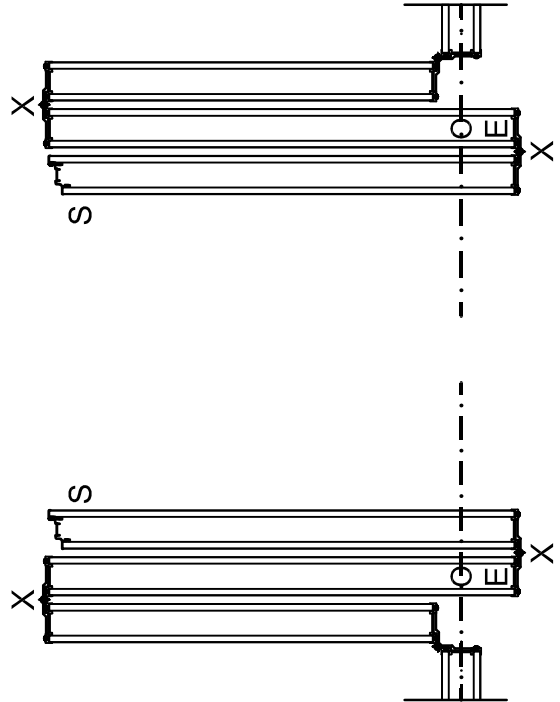
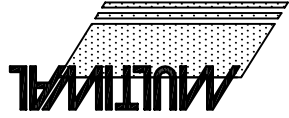


Edge hung
Double Wings



- X Hinges
- E Spanjolet
- O Floor and ceiling conductance
- S Door Closure

Edge hung, Double Wings Type Multi Slide 85



Drawn	Date	Name	Order number:
Checked	08-10-10	AvdH	
Scale:	n.o.s.		
Customer:			Project:

Drawing number:	Sheet:	Projection
7	7 of 7	

