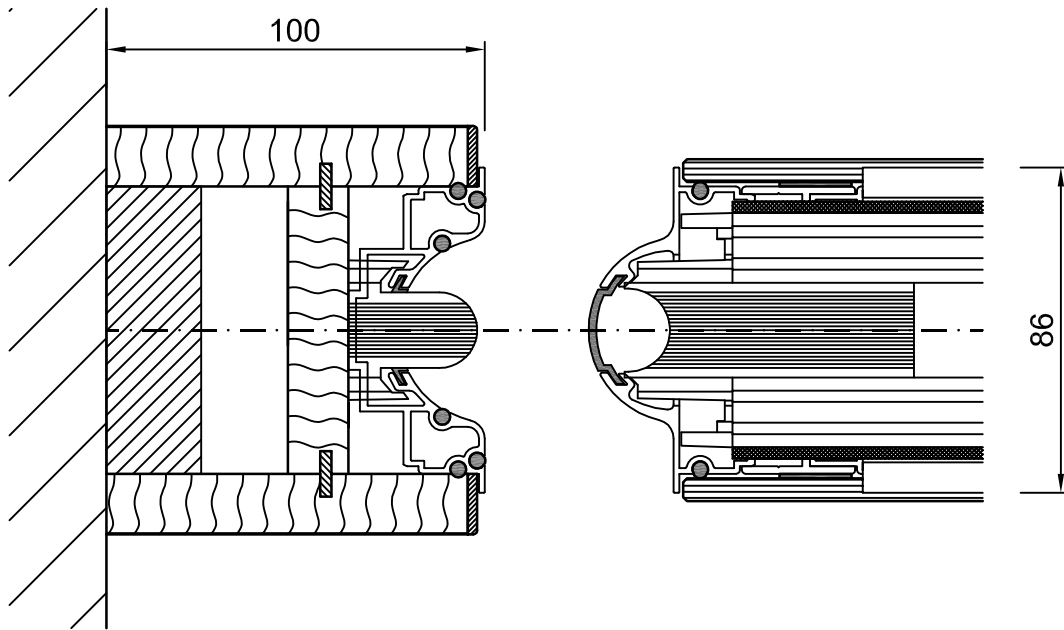
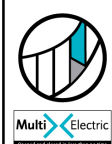


Wall Joint



SL = Wall Connection - NE

- * Self supporting aluminium frame
- * Aluminium profiles
- * Provided with magnetic seals
- * Self supporting Glass plates in 6, 8 or 10 mm



Niche
Moveable Walls



Wall Joint Commandoor 100 K

Drawn	Date	Name	Order number :
Checked	18-05-'11	AvdH	Customer :
Scale :	n.o.s.		Project :
Drawing number :			Sheet :
2			2 of 7
Projection			A4

Niche Operable Systems Ltd. 460 Manchester Road T: +44 (0)1204 381 552 E: enquiries@folding-partitions.co.uk
Darbyshire House Bolton, BL3 2NU F: +44 (0)1204 381 556 www.folding-partitions.co.uk