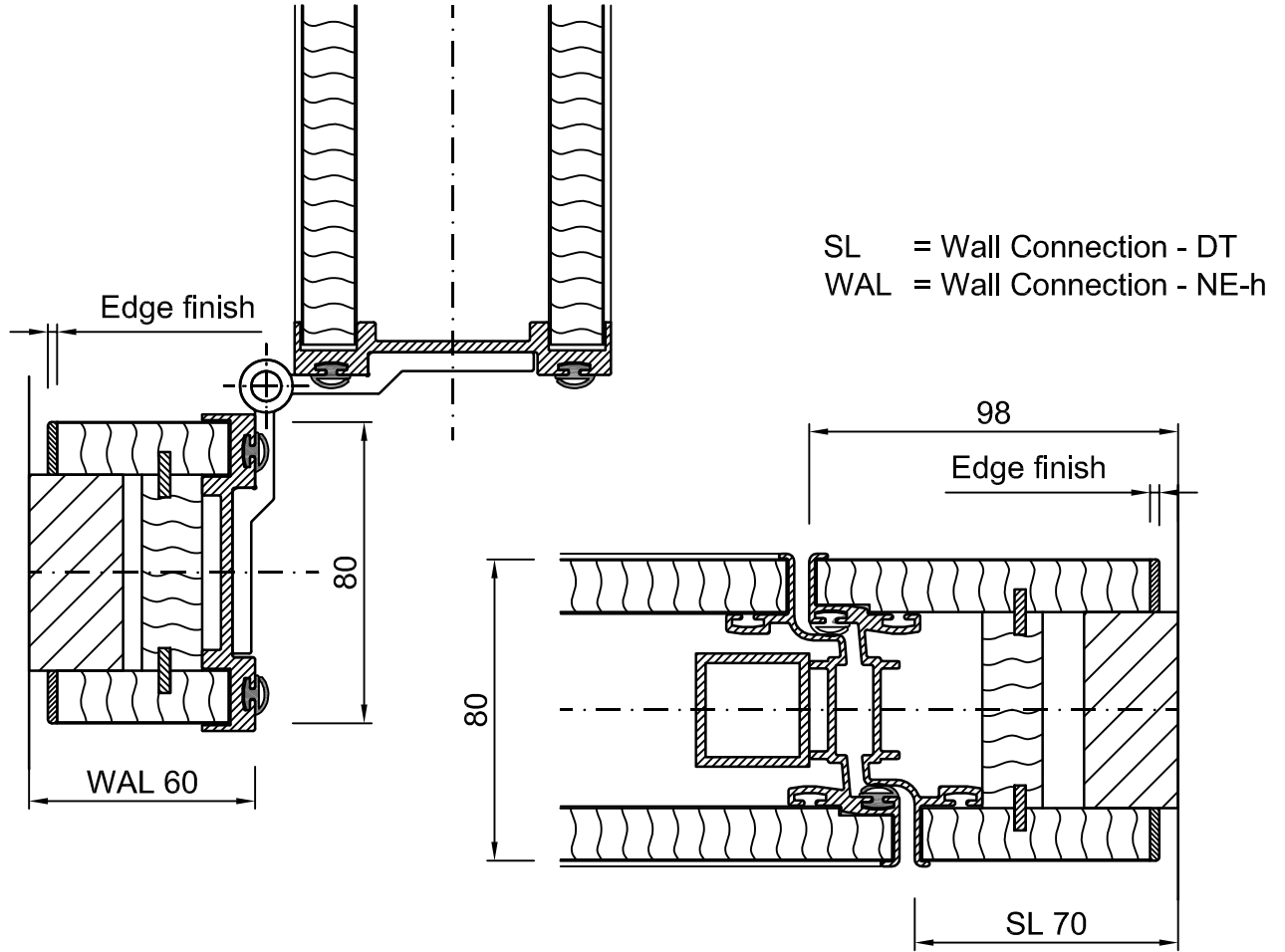
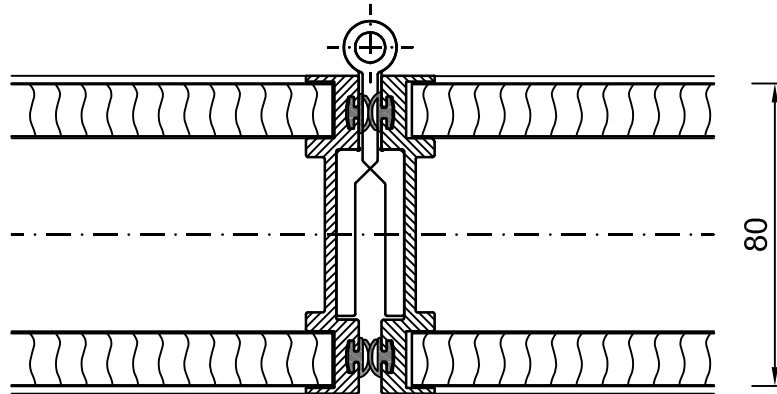


**Wall Joint**



**Panel Joint**



- \* Aluminium profiles
- \* Provided with rubber seals
- \* Removable external plates (Only with type Multislide 85 Deluxe)
- \* Hinges

	<b>Wall and Panel Joints type Multislide 85</b>		
	Date	Name	Order number :
	Drawn 08-10-'10	AvdH	
	Checked		Customer :
Scale : 1:2		Project :	
		Drawing number : 1	Sheet : 1 of 7
			<b>A4</b>
Niche Operable Systems Ltd. 460 Manchester Road T: +44 (0)1204 381 552 E: enquiries@folding-partitions.co.uk Darbyshire House Bolton, BL3 2NU F: +44 (0)1204 381 556 www.folding-partitions.co.uk			

